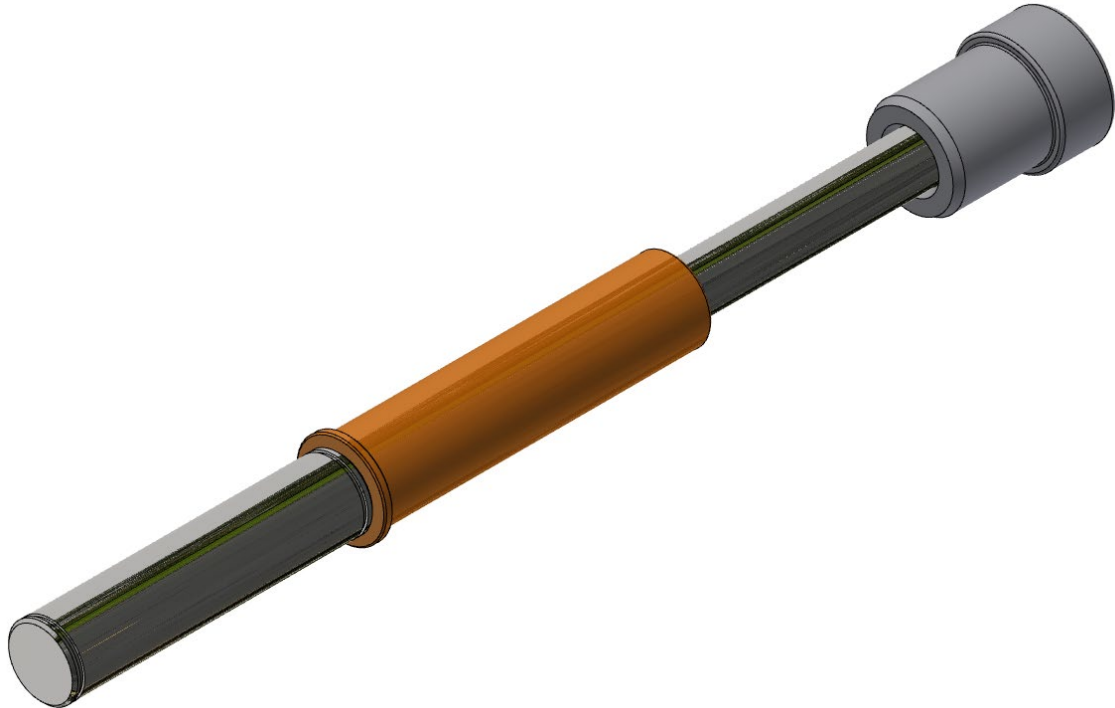




**FITTING INSTRUCTIONS FOR PIN18 SIDE STAND PIN TO FIT
HONDA CB1000R 2021-**



**This Kit contains the items pictured and labelled over page.
Some parts may be shown for clarity of instructions only.
Do not proceed until you are sure all parts are present.
Please read all instructions before proceeding.**

**IF IN ANY DOUBT WHEN FITTING OUR PRODUCTS, CONSULT ONE OF OUR DEALERS
OR HAVE FITTED BY A QUALIFIED TECHNICIAN.**

Please note that the way the kit is packed does not necessarily represent the way of mounting to the bike.

In the event of rubber washers being used to hold components onto bolts, these rubber washers can be thrown away.

DIGITAL COPIES OF THESE INSTRUCTIONS ARE AVAILABLE FROM

WWW.RG-RACING.COM

R&G

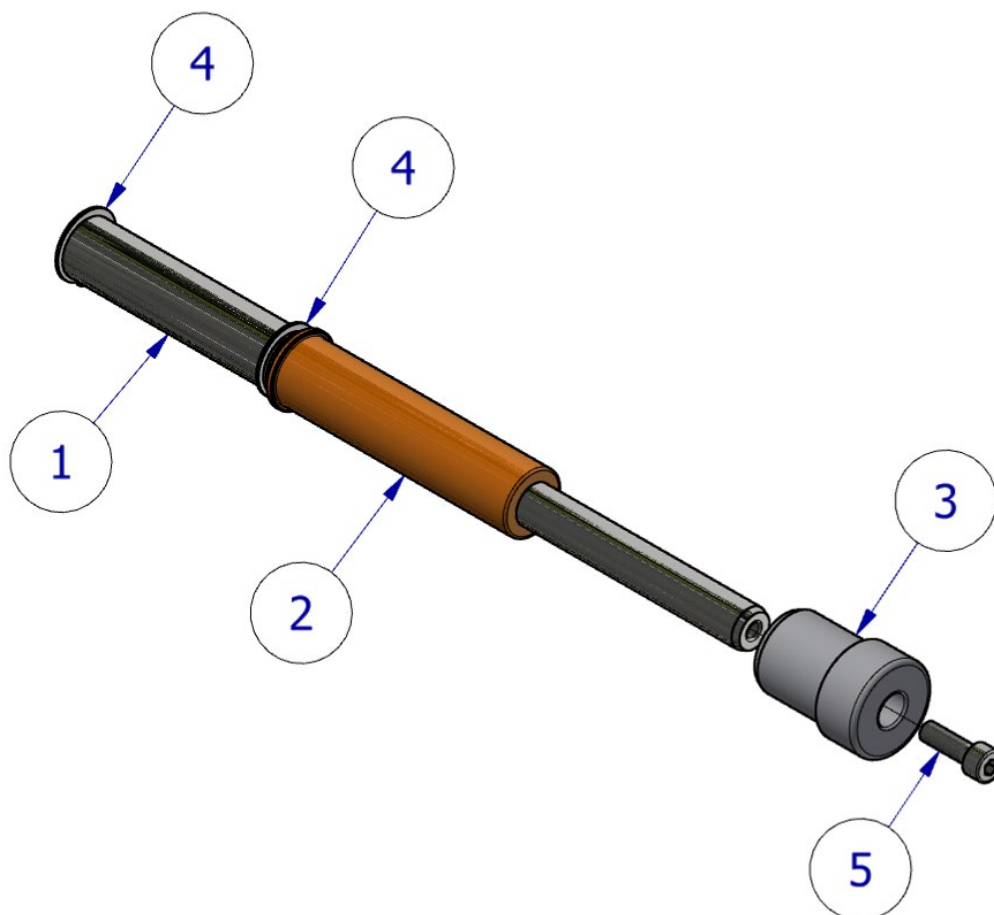
Unit 1, Shelley's Lane, East Worldham, Alton, Hampshire, GU34 3AQ
Tel: +44 (0)1420 89007 Fax: +44 (0)1420 87301 www.rg-racing.com Email: info@rg-racing.com



<u>TOOLS REQUIRED</u>	<u>GENERAL TORQUE SETTINGS</u>
<ul style="list-style-type: none"> EXTERNAL CIRCLIP PLIERS 6mm HEX KEY 	M4 BOLT = 8Nm M5 BOLT = 12Nm M6 BOLT = 15Nm M8 BOLT = 20Nm M10 BOLT = 40Nm M12 BOLT = 40Nm

LEGEND

ITEM No.	DESCRIPTION	QTY
ITEM 1	PNSH0004 PIN SHAFT	1
ITEM 2	PSV0013 LHS SUPPORT SLEEVE	1
ITEM 3	PSV0011 RHS SUPPORT SLEEVE	1
ITEM 4	23.2MM EXTERNAL CIRCLIP	2
ITEM 5	CAP HEAD BOLT M8x25MM	1



R&G

Unit 1, Shelley's Lane, East Worldham, Alton, Hampshire, GU34 3AQ

Tel: +44 (0)1420 89007 Fax: +44 (0)1420 87301 www.rg-racing.com Email: info@rg-racing.com



FITTING INSTRUCTIONS

- Slide the larger end of the pin shaft (PNSH0004 – ITEM 1) through the LHS R&G paddock stand and secure in place using the circlips (CIRCLIP - ITEM 4) by inserting into the grooves.
- Slide the LHS support sleeve (PSV0013 - ITEM 2) over the end of the pin so the larger flanged end sits against the shoulder of the paddock stand pin.
- Insert the paddock stand and pin assembly from the LHS of the bike through the rear spindle, ensuring the LHS support sleeve sits into the rear spindle all the way and the pin shaft is accessible through the wheel.
- Fix the RHS sleeve (PSV0011 – ITEM 3) into the rear wheel with the counterbore sitting over the paddock stand pin.
- Insert the M8 bolt (ITEM 5) through the second sleeve and secure in place using a 6mm hex key. Do not overtighten.

FAILURE TO ASSEMBLE CORRECTLY COULD RESULT IN INJURY OR DAMAGE TO THE MOTORBIKE.

- Ensure the ground beneath the stand is level and that the front wheel is pointed forwards in line with the rear wheel.
- The bike is now ready to be lifted using the stand.

CONSUMER NOTICE

The catalogue description and any exhibition of samples are only broad indications of the Products and R&G may make design changes which do not diminish their performance or visual appeal and supplying them in such state shall conform to the order. The Buyer acknowledges no representation or warranty (other than as to title) has been given or will apply to the Products other than those in R&G's order or confirmation and the Buyer confirms it has chosen the Products as being of merchantable quality and suitable for its particular purposes. Where R&G fits the Products or undertakes other services it shall exercise reasonable skill and care and rectify any fault free of charge unless the workmanship has been disturbed. The Buyer is responsible for ensuring that the warranty on the motorcycle is not affected by the fitting of the Products. On return of any defective Products R&G shall at its option either supply a replacement or refund the purchase money but shall not be liable if the Products have been modified or used or maintained otherwise than in accordance with R&G's or manufacturer's instructions and good engineering practice or if the defect arises from accident or neglect. Other than identified above and subject to R&G not limiting its liability for causing death and personal injury, it shall not be liable for indirect or consequential loss and otherwise its liability shall be limited to the amounts paid by the Buyer for the Products or the fitting or service concerned. These terms do not affect the Buyer's statutory rights.

R&G RACING RETURNS POLICY (NON-FAULTY GOODS)

Returns must be pre-authorized (if not pre-authorized the return will be rejected). Goods may only be returned direct to us if they were purchased direct from us (customer must prove if necessary). Otherwise to be returned to original vendor. Goods must be in re-sellable condition, in the opinion of R&G Racing. All returns are subject to a 25% restocking and handling fee (25% of the gross value exc. P&P – at the prevailing price at time of purchase). The customer must pay any and all carriage charges. No returns of discontinued products, unless within 14 days of purchase. This policy does not affect your statutory rights and does not refer to faulty goods.

R&G

Unit 1, Shelley's Lane, East Worldham, Alton, Hampshire, GU34 3AQ

Tel: +44 (0)1420 89007 Fax: +44 (0)1420 87301 www.rg-racing.com Email: info@rg-racing.com